

QPD4-4000-8000-30-S

4-Way, 4~8GHz

Features:

- * Small Size
- * Low Insertion Loss

Applications:

- * Amplifiers
- * Mixers
- * Antennas
- * Laboratory Test

Electrical

Frequency:	4~8GHz
Insertion Loss:	0.6dB max.
Input VSWR:	1.3 max.
Output VSWR:	1.2 max.
Isolation:	20dB min.
Amplitude Balance:	±0.3dB
Phase Balance:	±3°
Impedance:	50Ω
Average Power:	30W max. 2W max. as combiner

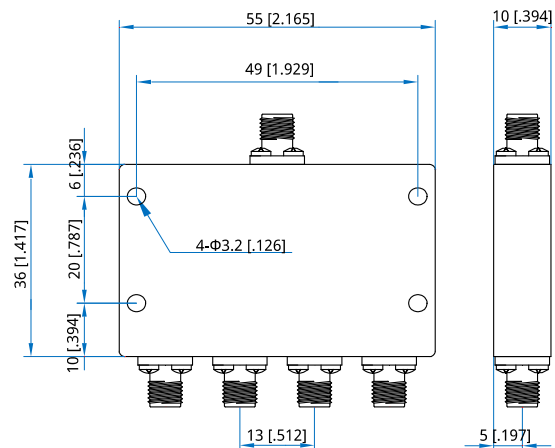
Mechanical

Size* ¹ :	36*55*10mm 1.417*2.559*0.472in
Connectors:	SMA Female
Mounting:	4-Φ3.2mm through-hole

[1] Exclude connectors.

Environmental

Operation Temperature:	-45~+85°C
------------------------	-----------

Outline Drawings


Unit: mm [in]

Tolerance: ±0.5mm [±0.02in]

How To Order

QPD4-4000-8000-30-S

Customization is available upon request.